



## Industrial Thermostat Options for Assemblies

We use industrial thermostats to build assemblies for use in more complex devices. Select from value-added services such as adding wire leads, building enclosures, or potting services to ensure your product's success.

For more information and to start your next project, contact us today:

- [www.decamanufacturing.com](http://www.decamanufacturing.com)
- Call: 419-884-0071

### GT Series, Ceramic Disc Thermostats

DECA Manufacturing offers the GT line of 1/2" disc fixed temperature thermostats. Approved by numerous testing agencies, all GT thermostats pass a series of rigorous quality control checks including continuity, function, contact resistance and dielectric strength. Excellent multipurpose thermostat available in both automatic reset and push button manual reset configurations. A wide range of operating temperatures, as well as a small size and a variety of physical configurations, permit the flexibility to meet your specific needs.

#### Features

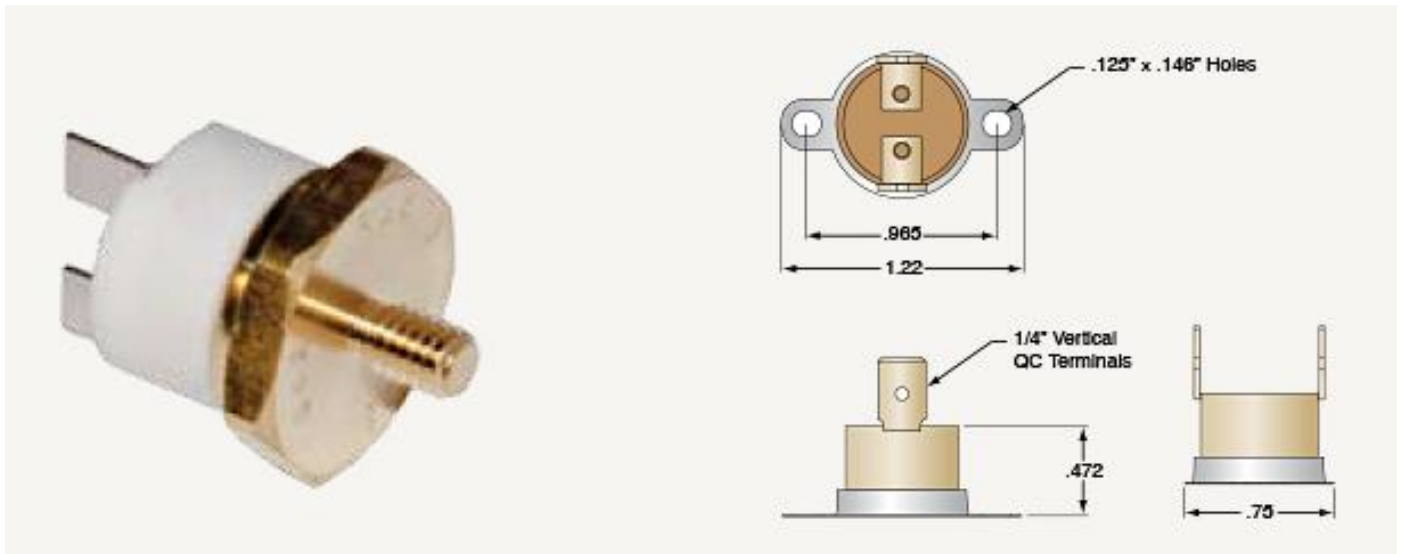
- Factory pre-set fixed temperature
- Normally open or normally closed contact configurations
- Current rating: to 15 Amp@ 120 Vac, 10 Amp@250 Vac
- Available temperatures from 0°C to 177°C
- Controlling or limit functionality
- Brass or stainless-steel construction
- Pressure ratings up to 7000 psi

#### Applications

- Food service equipment
- Mold platens
- Electric heaters
- Refrigerators and freezers
- Test pots & temperature control chamber
- Livestock warmers
- Agricultural equipment
- Environmental controls
- Vending machines
- Electric & gas ovens
- Automotive
- Hydraulics

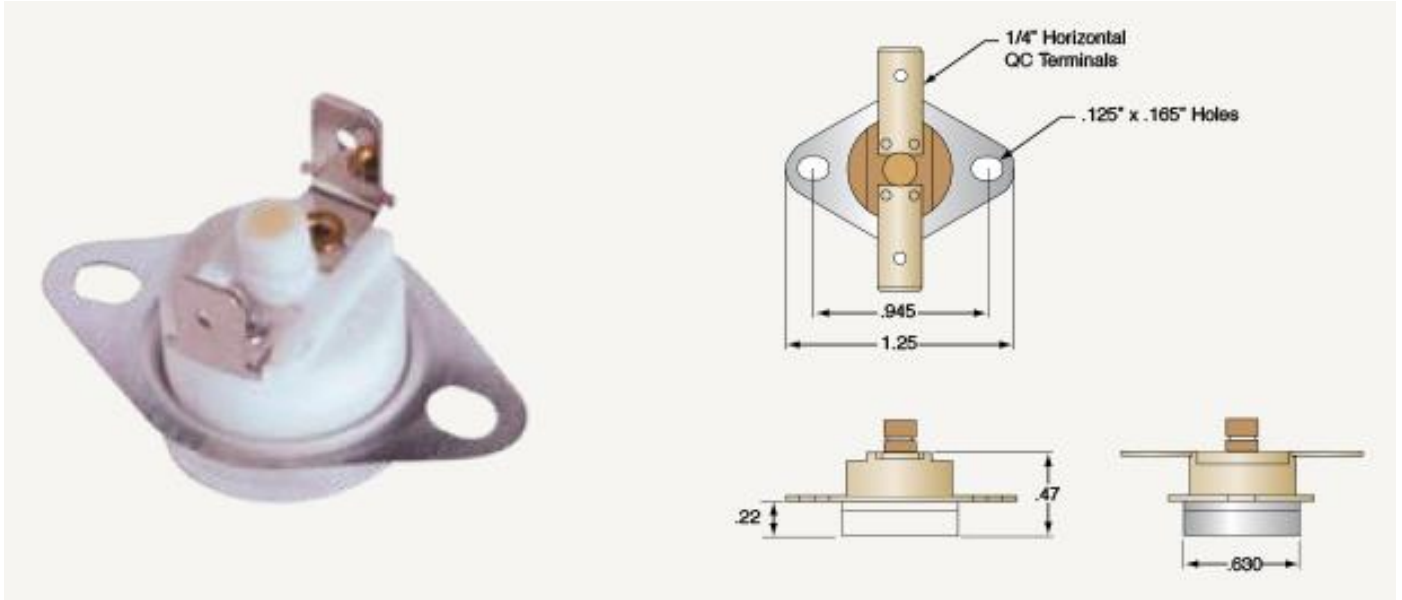
#### Auto Reset Construction

Options shown: Vertical 1/4" Q.C. Terminals and an 8-32 Stud Mount Cap



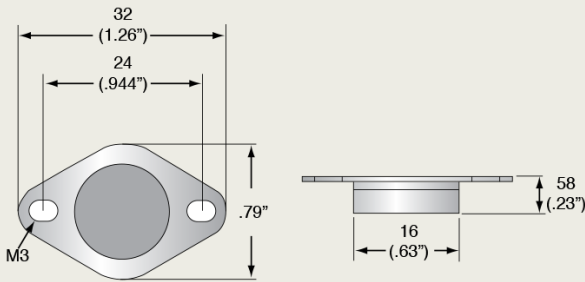
## Manual Reset Construction

Options shown: Horizontal 1/4" Q.C. Terminals and Airstream Mount Flange

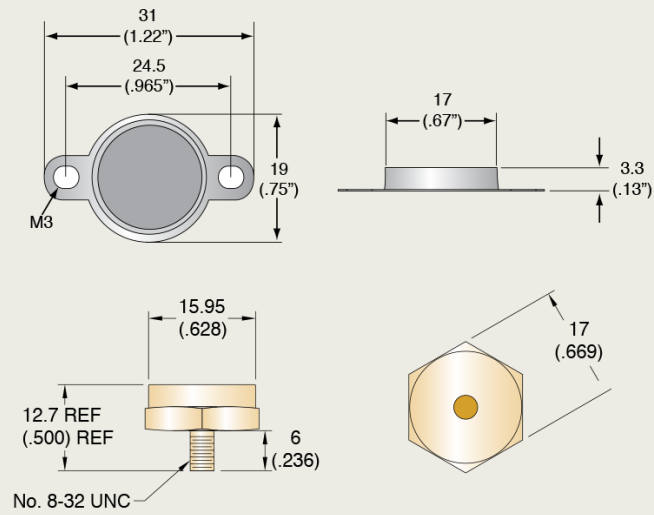


## Mounting Options

**Airstream Mount Flange Cup**  
Code: AM • Material: Aluminum



**Loose Ear Surface Mount Flange**  
Code: SM • Material: Aluminum



## Electrical Ratings & Temperature Information

### Electrical Ratings and Selected Agency Approvals

Model Type	Cycles (X 1000)	Electrical Rating	Max. Temp. (°C)	Agency
GT52N	100	120 Vac/15 Amps 240 Vac/10 Amps	230°C	UL/CSA/VDE
GT52N	30	120 Vac/15 Amps 240 Vac/10 Amps	260°C	UL ONLY
GT52X	30	120 Vac/0.5 Amps	230°C	UL/CSA/VDE
GT52P	100	42Vdc/0.2 Amps	230°C	UL/CSA/VDE
GT15N	6	120 Vac/15 Amps 240 Vac/10 Amps	250°C	UL ONLY

### Standard Tolerances: Manual Reset

Set Temperature		Open Tolerance	
°C	°F	°C	°F
150-250	302-482	+/-8.0	+/-14.4

### Standard Temperature Differential and Tolerances: Automatic Reset

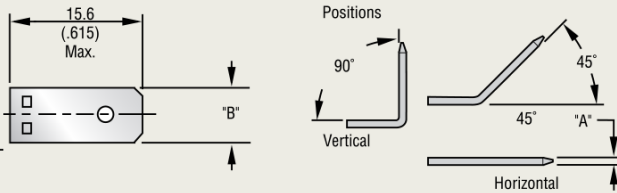
Set Temperature		Differential		Open Tolerance		Close Tolerance	
°C	°F	°C	°F	°C	°F	°C	°F
150-260	301-446	25	45	+/-5.0	+/-9.0	+/-7.0	+/-12.6

## Terminal Options

### Quick Connects

Material: Brass, Tin Plated

	1/4"	3/16"
Thickness (A):	0.8 (.031)	0.5 (.020)
Width (B):	6.3 (.250)	4.8 (.187)
Orientation	Codes	
Vertical	4V	3V
Horizontal	4H	3H
45°	4A	3A



All dimensions mm (in.)

## Numbering System for Samples

GT	52	N	L	4V	SM	165
<b>Contact Type</b>		<b>Contact Material</b>		<b>Terminal Options</b>		
52	Automatic Reset	N	Silver Nickel Alloy	3/16" Quick Connects		
15	Manual Reset	P	Gold Platinum Silver	3V	Vertical	
		X	Gold Platinum Silver	3H	Horizontal	
<b>Contact Configuration</b>				3A	45°	
L	Normally Closed, Open on Rise			1/4" Quick Connects		
F	Normally Open, Close on Rise			4V	Vertical	
				4H	Horizontal	
				4A	45°	
Other terminal types available.						
<b>Mounting Options</b>						
FC	No Mounting Provision, Flat Cup					
AM	Airstream Mount Integral Flange					
SM	Surface Mount Flange, Loose Ear					
ST	8-32 Stud Mount					
Other mounting types available.						
Set temperature select in increments of 1°C from 150°C to -230°C						
Higher set points available, contact Thermtrol for details.						

## GT20 Series, 1/2" Disc, Moisture Resistant, Fixed Thermostats

DECA Manufacturing offers the GT20 line of 1/2" disc fixed temperature thermostats. Approved by numerous testing agencies, all GT thermostats pass a series of rigorous quality control checks including continuity, function, contact resistance and dielectric strength. Excellent multipurpose thermostat with a moisture resistant body. A wide range of operating temperatures permit the flexibility to meet your needs.

### Features

- Bi-metal disc, factory pre-set
- Automatic reset: Available with both normally open and normally closed switch logic
- Variety of accessories and mounting options
- Compact dimensions, high load capacity
- High operating speed
- Current insensitive
- Moisture resistant

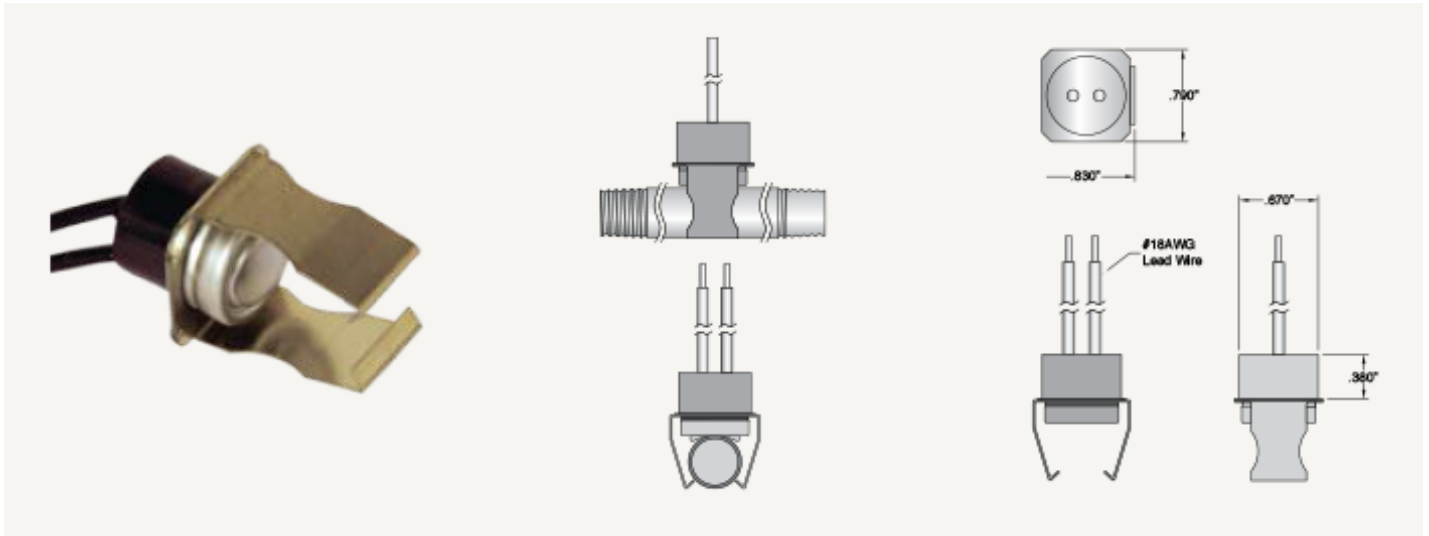
### Applications

- Hydronic fan coils
- Humidifier
- Dehumidifier
- HVAC
- Major appliances
- Medical/lab equipment
- Vending machines
- Electric space heaters
- Hair care appliances
- Audio speakers
- Copiers
- Refrigeration compressors
- Commercial food equipment
- Vacuum cleaners
- Medical equipment
- Gas furnace protection
- Welding equipment



## Auto Reset Construction

Options shown: 1/2" diameter pipe mount. Lead wires.



## Electrical Ratings & Temperature Information

Electrical Ratings and Selected Agency Approvals				
Model Type	Cycles (X 1000)	Electrical Rating	Max. Temp. (°C)	Agency
GT20	100	120 Vac/15 Amps 240 Vac/10 Amps 125 Vac/7.5 Amps IND.	80C	UL E201152

Standard Temperature Differential and Tolerances: Automatic Reset							
Set Temperature		Differential		Open Tolerance		Close Tolerance	
°C	°F	°C	°F	°C	°F	°C	°F
0-80	32-176	10	18	+/-3	+/-5.4	+/-7.0	+/-13.0

## Numbering System

GT	20	N	L	W	RE	60
----	----	---	---	---	----	----

**Contact Type**

20	Automatic Reset
----	-----------------

**Contact Material**

N	Silver Nickel Alloy
---	---------------------

**Contact Configuration**

L	Normally Closed, Open on Rise
F	Normally Open, Close on Rise

**Terminal Options**

W	6" #18AGW Black PVC lead wire. UL1007
---	---------------------------------------

Custom lead lengths available upon request.

**Mounting Options**

FC	No Mounting Provision, Flat Cup
AM	Airstream Mount Integral Flange
SM	Surface Mount Flange, Loose Ear
ST	8-32 Stud Mount
RM	1/4" - 5/16" OD Pipe Mount
RJ	3/8" OD Pipe Mount
RE	1/2" OD Pipe Mount
RK	5/8" OD Pipe Mount
RL	3/4" - 7/8" OD Pipe Mount

Set temperature select in increments of 1°C from 0°C to 80°C

## GT43 Series, Disc Fixed Thermostats

DECA Manufacturing offers the GT43 line of 3/4" disc fixed temperature thermostats. Approved by numerous testing agencies, all GT thermostats pass a series of rigorous quality control checks including continuity function, contact resistance, and dielectric strength. Excellent multipurpose thermostat with increased contact capacity. A wide range of operating temperatures permit the flexibility to meet your needs.

### Features

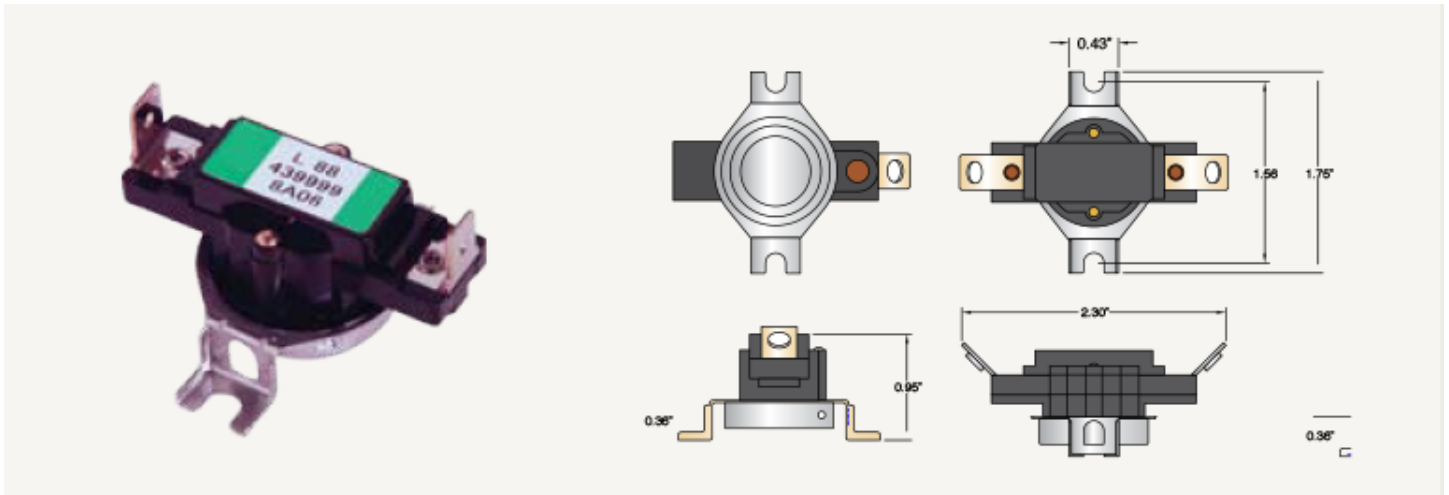
- Bi-metal disc, factory pre-set
- Automatic reset: Available with both normally open and normally closed switch logic
- Variety of accessories and mounting options
- Compact dimensions, high load capacity
- High operating speed
- Current insensitive
- ROHS Compliant

### Applications

- HVAC
- Major appliances
- Medical/lab equipment
- Vending machines
- Electric space heaters
- Overhead projectors
- Hair care appliances
- Audio speakers
- Copiers
- Refrigeration compressors
- Commercial food equipment
- Vacuum cleaners
- Medical equipment
- Gas furnace protection
- Power supplies
- Communications equipment
- Welding equipment

### Auto Reset Construction

Options shown: Vertical 1/4" Q.C. Terminals and Surface Mount Flange

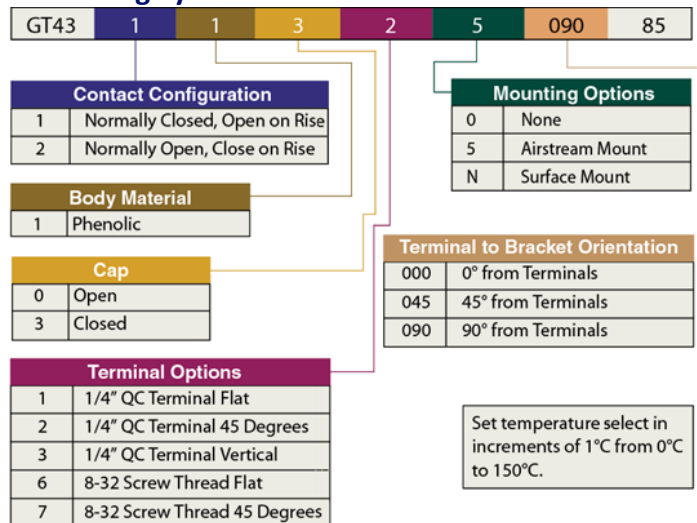


## Electrical Ratings Approvals & Temperature Information

Electrical Ratings and Selected Agency Approvals				
Model Type	Cycles (X 1000)	Electrical Rating	Max. Temp. (°C)	Agency
GT43	100	250 Vac/25 Amps 480 Vac/13 Amps	150°C	UL E201152

Standard Temperature Differential and Tolerances: Automatic Reset							
Set Temperature		Differential		Open Tolerance		Close Tolerance	
°C	°F	°C	°F	°C	°F	°C	°F
0-119	32-246	10	18	+/-3	+/-5.4	+/-7.0	+/-13.0
120-150	248-302	10	18	+/-5	+/-9	+/-7.0	+/-13.0

## Numbering System



Manual Reset version also available.

## 1NT Series, Fixed Thermostats

DECA Manufacturing offers Sensata's Klixon® line of 1NT fixed temperature thermostats. Approved by numerous testing agencies, all 1NT thermostats pass a series of rigorous quality control checks including continuity, function, contact resistance and dielectric strength. Excellent multipurpose thermostat available in both automatic reset and push button manual reset configurations. A wide range of operating temperatures, small size, and a variety of physical configurations, permit the flexibility to meet your specific needs.

### Features

- Bi-metal disc, factory pre-set
- Switch Actions:
  - Automatic reset: Available with both normally open and normally closed switch logic
  - Manual reset: Mechanically resettable device
  - Trip free manual reset: UL M2 class rating that resists consumer tampering
- Variety of accessories and mounting options
- Compact dimensions, high load capacity
- High operating speed
- Current insensitive

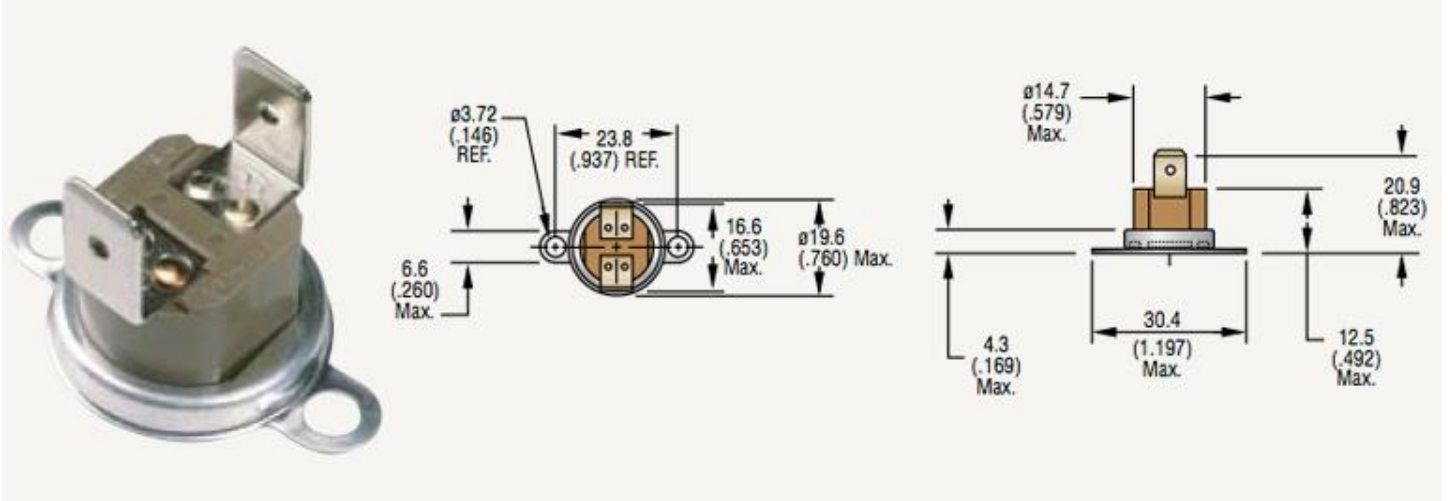
### Applications

- Vending machines
- Microwave ovens
- Electric space heaters
- Overhead projectors
- Hair care appliances
- Clothes dryers
- Audio speakers
- Copiers
- Refrigeration compressors
- Food processing equipment
- Toasters
- Coffee makers
- Vacuum cleaners
- Medical equipment
- Dishwashers
- Gas furnace protection
- Power supplies
- Communications equipment
- Welding equipment



## Auto Reset Construction

Options shown: Vertical 1/4" Q.C. Terminals and Surface Mount Flange



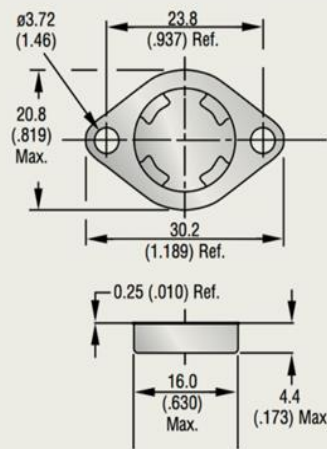
## Manual Reset Construction

Options shown: Horizontal 1/4" Q.C. Terminals and Airstream Mount Flange

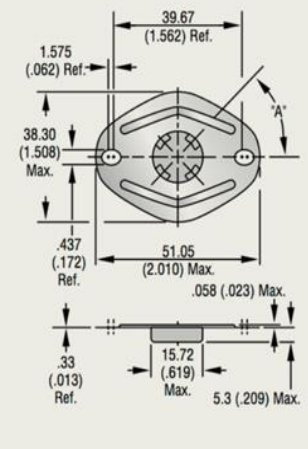


## Mounting Options

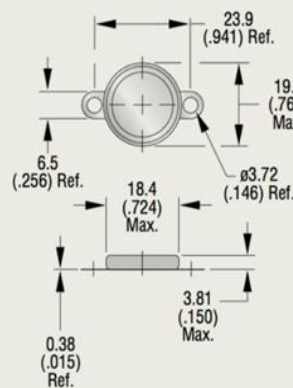
**Airstream Mount Flange Cup**  
Code: AM Material: Aluminum



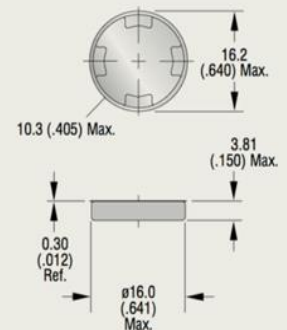
**Large Oval Integral Cup**  
Code: LO Material: Aluminum



**Loose Ear Surface Mount Flange**  
Code: SM Material: Aluminum



**Flat Cup**  
Code: FC Material: Aluminum



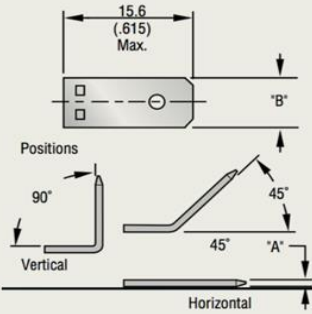


## Terminal Options

### Quick Connects

Material: Brass, Tin Plated

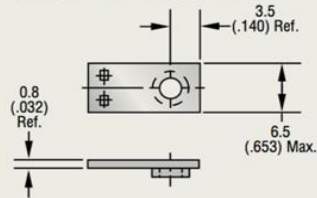
	1/4"	3/16"
Thickness (A):	0.8 (.031)	0.5 (.020)
Width (B):	6.3 (.250)	4.8 (.187)
<b>Orientation</b>	<b>Codes</b>	
Vertical	4V	3V
Horizontal	4H	3H
45°	4A	3A



All dimensions mm (in.)

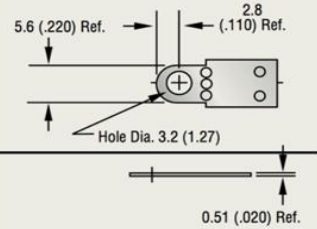
### Screw Terminals

Code: SC Material: Steel, Nickel Plated  
M3 x 0.5 Class 6H Thread



### Solder Terminals

Code: ST Material: Brass, Tin Plated



10A Max. on all terminals 0.5mm (0.020") thick.

## Numbering System

1NT 08 L 3H AM 199°C

Contact Type	
01	Automatic Reset, Silver Contacts
11	Automatic Reset, Gold Contacts**
08	Manual Reset, Silver Contacts
12	Manual Reset, Gold Contacts**
15	Trip Free MR*, Silver Contacts
19	Trip Free MR*, Gold Contacts**

\*MR = Manual Reset  
\*\*Gold contacts are applicable for circuits from 50mAMP to 1AMP

Contact Configuration	
L	Normally Closed, Open on Rise
F	Normally Open, Close on Rise

F contacts not applicable for Manual Reset devices.

Mounting Options	
FC	No Mounting Provision, Flat Cup
AM	Airstream Mount Integral Flange
SM	Surface Mount Flange, Loose Ear
LO	Large Oval Airstream Mount Integral Flange

Terminal Options	
<b>3/16" Quick Connects</b>	
3V	Vertical
3H	Horizontal
3A	45°
<b>1/4" Quick Connects</b>	
4V	Vertical
4H	Horizontal
4A	45°
<b>Other</b>	
ST	Solder Terminals
SC	Screw Terminals

Other terminal types available.

**Set temperature -**  
select in increments of 1°C from 0°C to 204°C

Last Revised: 10/2024. Thermostat information courtesy of Thermtrol.